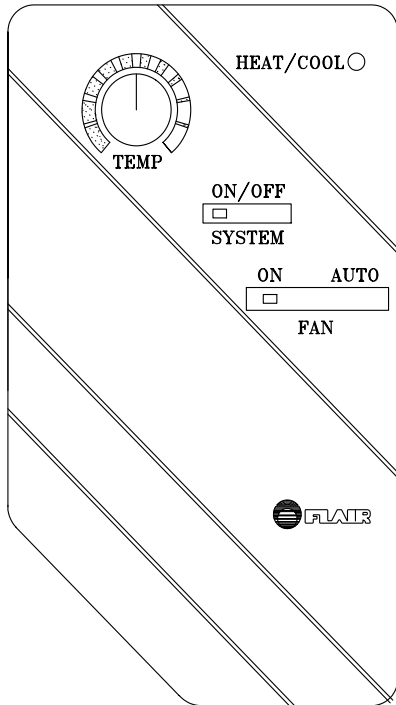


MECHANICAL SINGLE STAGE THERMOSTAT *series TM11*

For central (main) or zoned control of heating or cooling systems. Available in 2 and 3 wire (heating or cooling only) versions with fan switch.

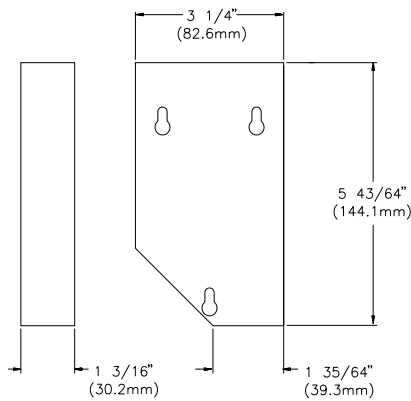
BENEFITS & SPECIAL FEATURES

- Manual ON/OFF switch.
- Mechanical temperature limiting and locking.
- Precision rotary temperature setting.
- Continuous (on) or intermittent (auto) fan switch. (some models)
- Sealed reed contact switching.
- Not subject to vibration, breakage, uneven mounting or environmental concerns of mercury bulb thermostats.
- Slotted mounting holes.
- Screw type wiring terminals.
- Vertical mounting to wall or 2" X 4" junction box.
- No subbase or backplate required.
- Attractive modern design.
- Easy setting.
- System status indicators.
- Warmer/cooler scale standard. Fahrenheit and Celsius scale included.



Cooling model shown
(others differ)

DIMENSIONS

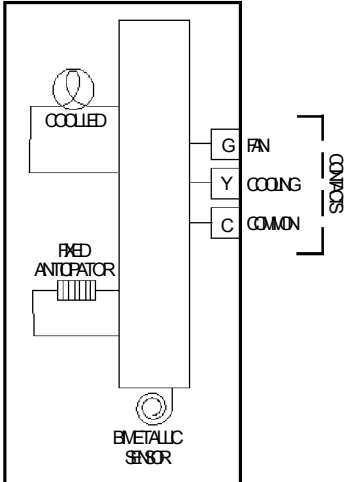


Thermostat

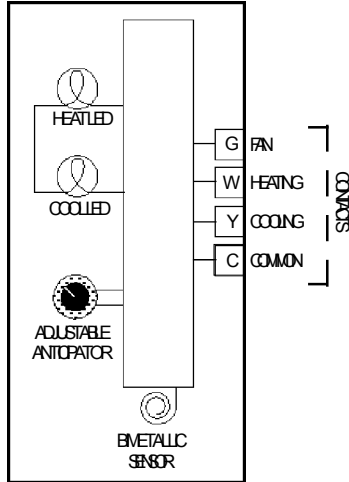
SPECIFICATIONS

Operating Voltage:	24 VAC (-15%, +10%, 50-60 Hz)
Temperature Range:	50°F - 90°F (10°C - 32°C)
Temperature Differential:	
Heating:	approximately 1°F (.4°C)
Cooling:	approximately 1°F (.4°C)
Anticipator:	
Adjustable:	From .3 to 1 amp (some models).
Calibration:	Not required.
Sensor System:	
Standard:	Bimetal with Reed Switch.
Switches:	
Slide:	System. Heat/Off/Cool
Slide:	System: On/Off
Slide:	Fan: On/Auto
Rotating:	Set Temperature
Indicator LED:	Heat (red)
	Cool (blue)
Security:	Mechanical temperature limiting and locking.
Dimensions:	5.6 x 2.9 x 1.18 Inches (143.4 x 74.2 x 30.2 mm)

MODEL NUMBERS AND DESCRIPTIONS FOR VARIOUS APPLICATIONS



Model Number: TM110120
 Description: 2 wire
 1 stage cool
 fixed anticipator
 System: on/off
 Fan: on/auto
 Switching Current at 24 VAC:
 Cooling: 1 A
 Fan: 1 A
 Weight: .4 lbs. (880 g)



Model Number: TM111120
 Description: 2 wire
 1 stage heat or cool
 adj. anticipator
 System: heat/off/cool
 Fan: on/auto
 Switching Current at 24 VAC:
 Cooling/heating: 1 A
 Fan: 1 A
 Weight: .4 lbs. (880 g)

ACCESSORIES

Auto changeover between heating and cooling can be accomplished when used with Heating/Cooling Changeover Switch.

For 1/2" to 1 1/4" pipe AC000100
 For 1 1/4" to 3" pipe AC000101

Transformers:
 40 VA TR140100
 20 VA TR120100

Relay Transformers:
 20 VA (2) SPST 120 VAC relay TR440200
 20 VA (1) SPST 120 VAC relay TR440300

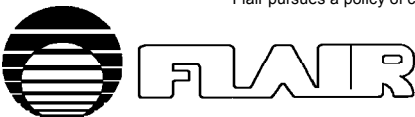
APPLICATIONS

- Central (main) heating or cooling.
- Zone heating or cooling.
- Residential (Single or multi-family Apartments, Condominiums, Co-ops).
- Commercial (Stores, Restaurants, Offices).
- Industrial.
- Institutional (Hospitals, Hotels, Motels).

REFERENCES

For More Information On:	See:
Wiring, jumper, anticipator settings and applications	Instruction sheet
Other thermostats	This section
Zone Actuators	Star Actuator section
Zone Valves	Star Valve section
Wiring Panels	Control Panels sect.
Suggested pricing	Price section
Warranty	Warranty section

Flair pursues a policy of constant improvement. For this reason, all specifications are subject to change without notice.



FLAIR INTERNATIONAL CORPORATION

600 Old Willets Path • Hauppauge, New York 11788 • Tel: (516) 234-3600 • Fax: (516) 234-3610